

Dec. 13, 1949

W. E. URSCHEL

2,491,064

WALKING TRACTOR

Filed June 26, 1945

3 Sheets-Sheet 3

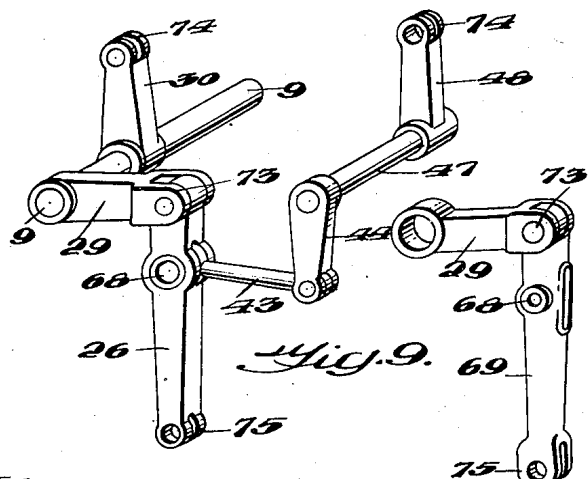
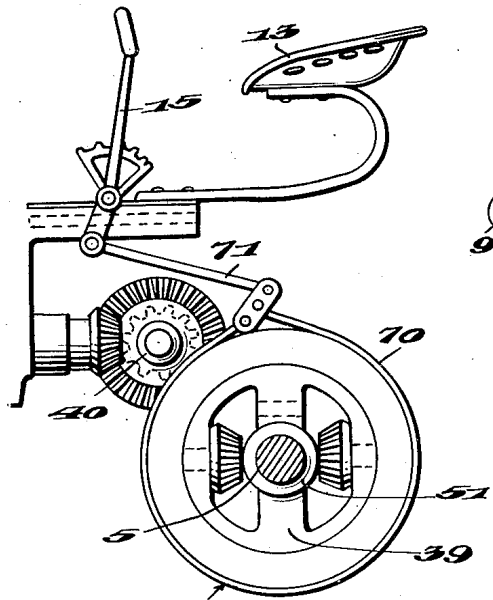
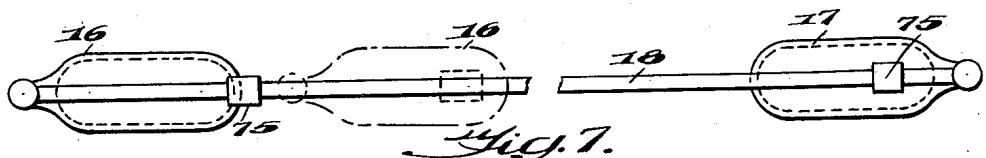
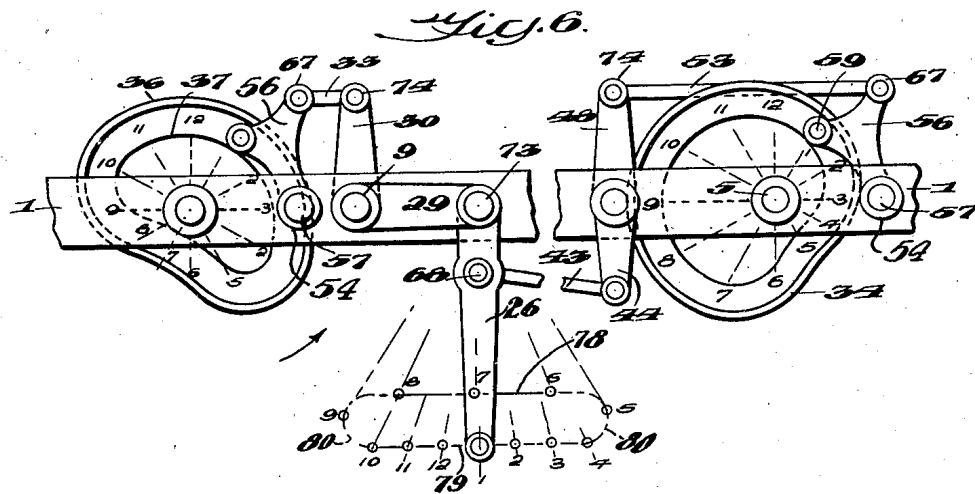


Fig. 9a.

WILLIAM E. URSCHEL, INVENTOR

Fig. 8.

By W. S. Amstutz

Attorney

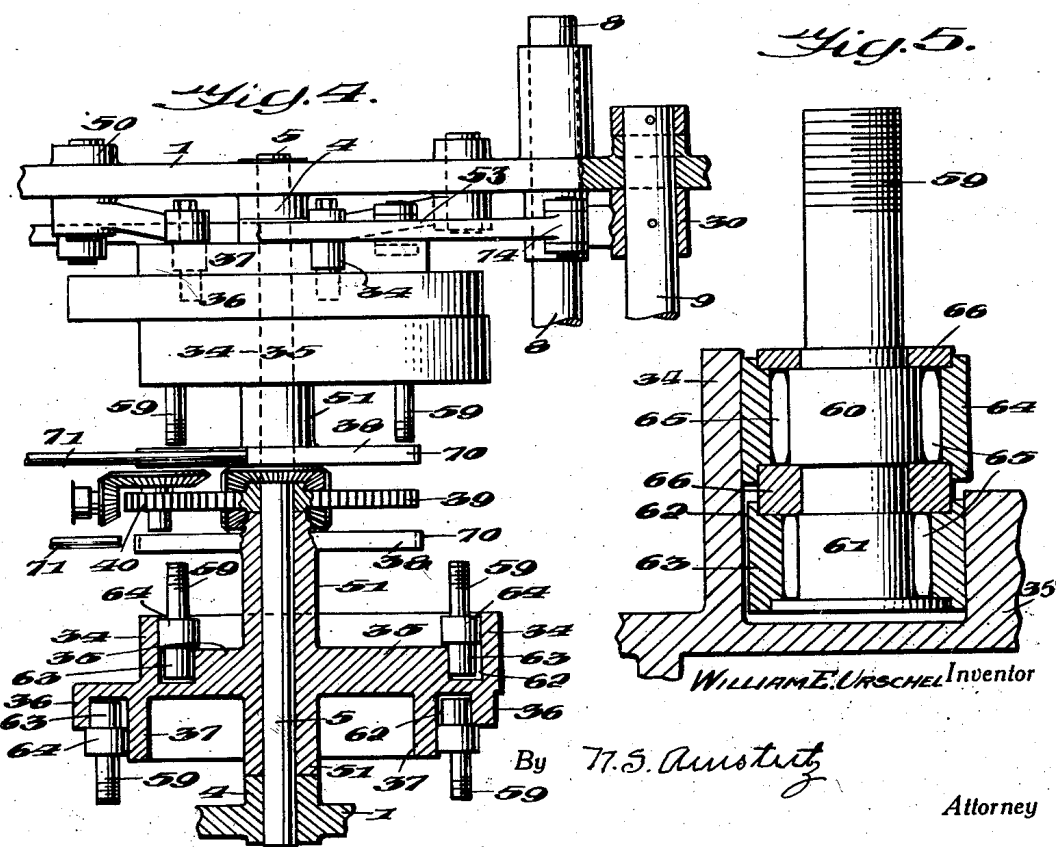
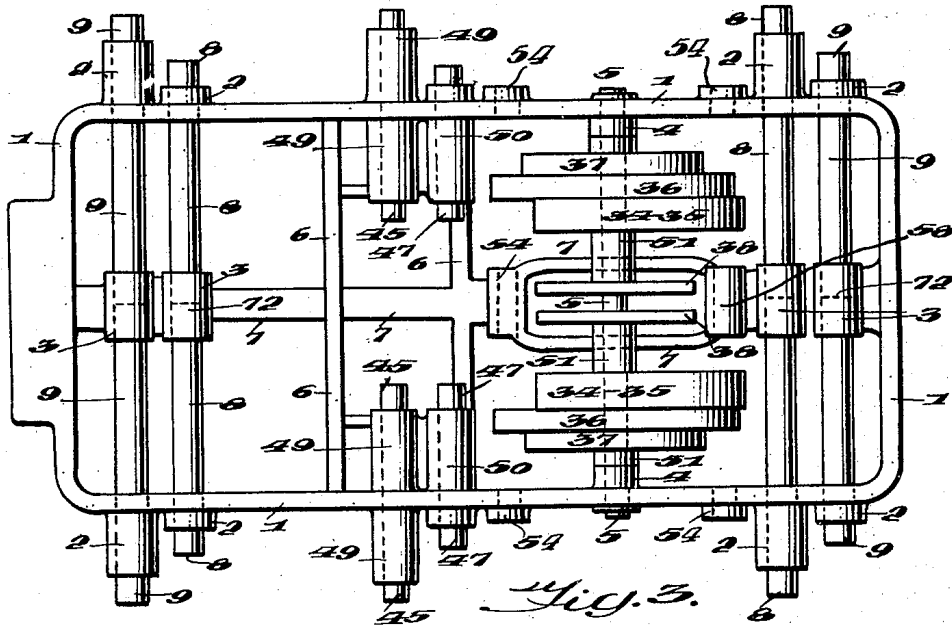
Dec. 13, 1949

W. E. URSCHEL
WALKING TRACTOR

2,491,064

Filed June 26, 1945

3 Sheets-Sheet 2



Dec. 13, 1949

W. E. URSCHEL
WALKING TRACTOR

2,491,064

Filed June 26, 1945

3 Sheets-Sheet 1

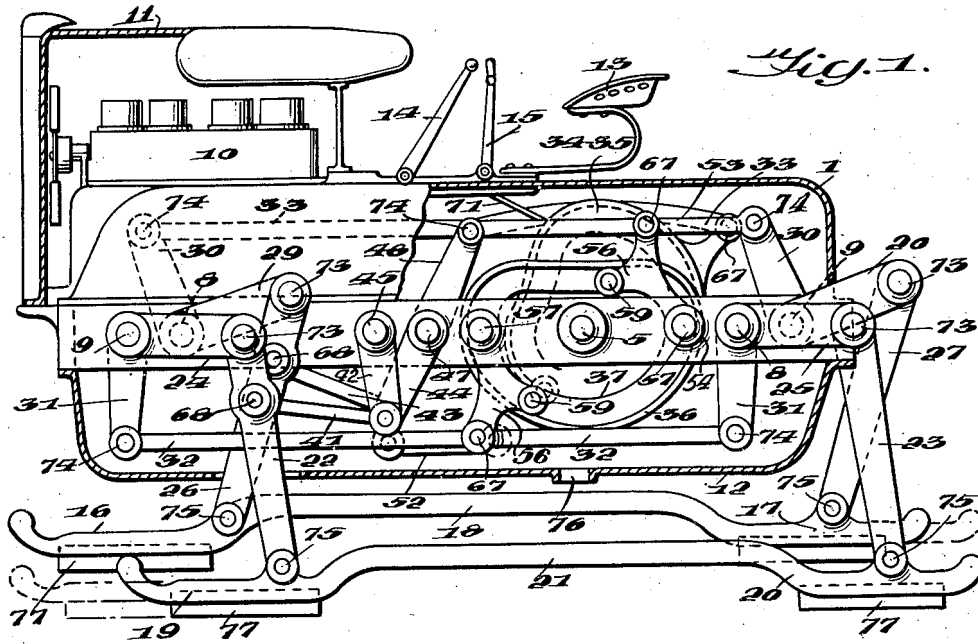


Fig. 1.

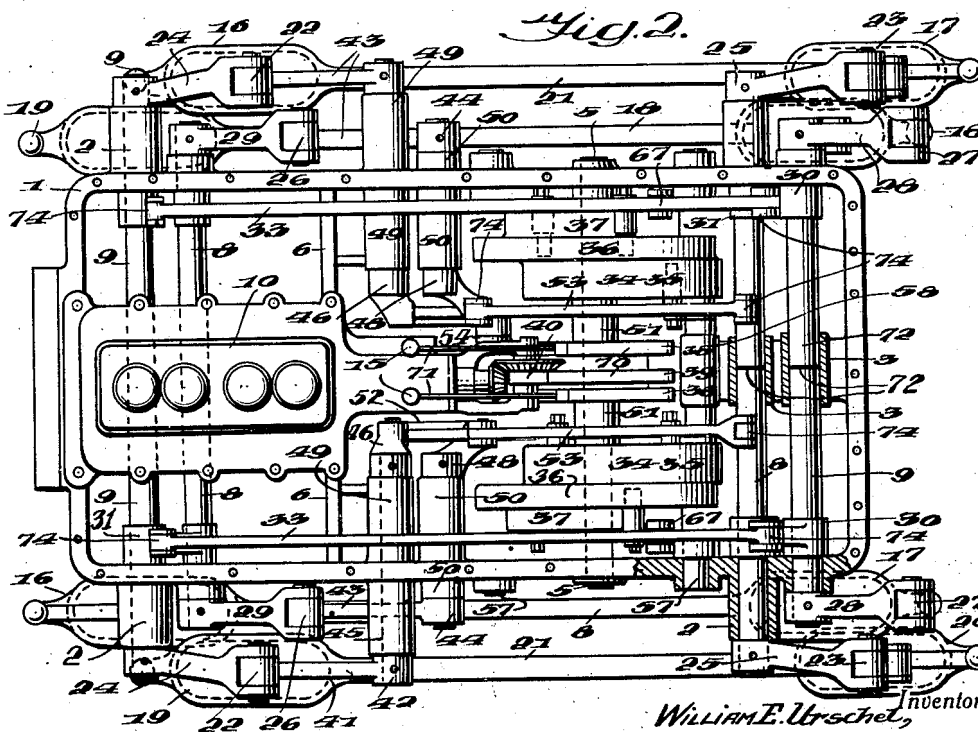


Fig. 2.

William E. Urschel, inventor

By *N. S. Amstutz*

Attorney