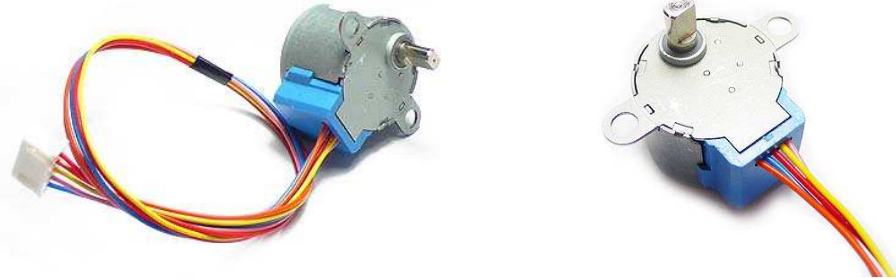
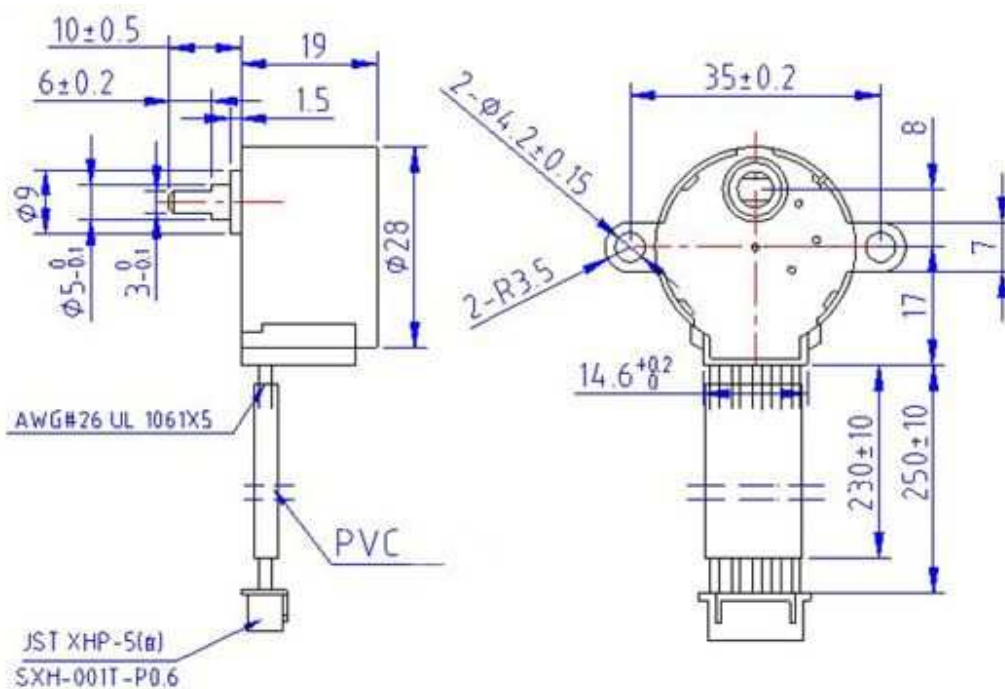
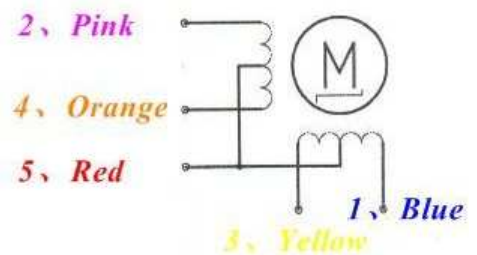
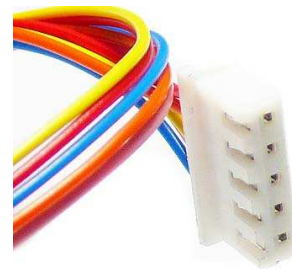


28BYJ-48 – 5V Stepper Motor

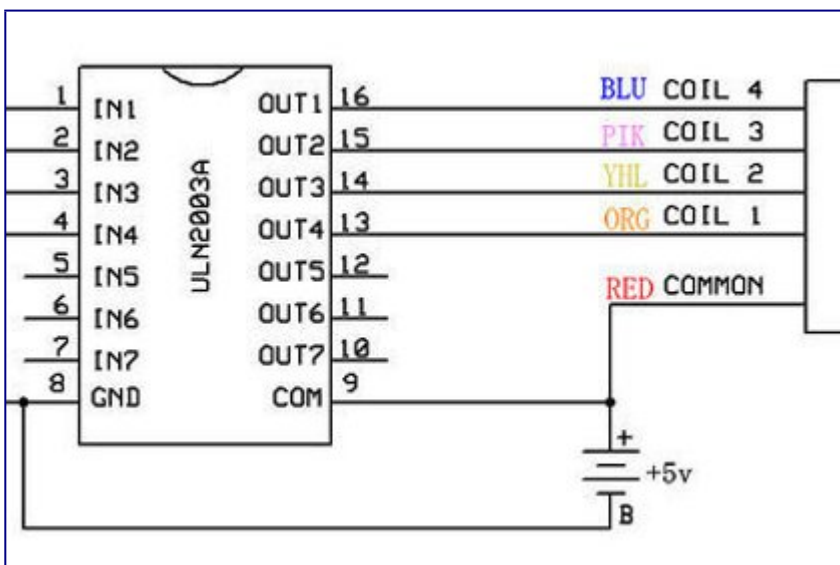
The 28BYJ-48 is a small stepper motor suitable for a large range of applications.



Rated voltage :	5VDC
Number of Phase	4
Speed Variation Ratio	1/64
Stride Angle	5.625°/64
Frequency	100Hz
DC resistance	50Ω±7%(25°C)
Idle In-traction Frequency	> 600Hz
Idle Out-traction Frequency	> 1000Hz
In-traction Torque	>34.3mN.m(120Hz)
Self-positioning Torque	>34.3mN.m
Friction torque	600-1200 gf.cm
Pull in torque	300 gf.cm
Insulated resistance	>10MΩ(500V)
Insulated electricity power	600VAC/1mA/1s
Insulation grade	A
Rise in Temperature	<40K(120Hz)
Noise	<35dB(120Hz, No load, 10cm)
Model	28BYJ-48 – 5V



Specification , Motor Driver





5 More Images

There are many Types of Drivers , L293 , ULN2003 , [A3967SLB](#) , And More ,

The 28-BYJ48 Even comes with Breakout using ULN2003 As a Motor driver chip .

Specification for this Motor " And you can download datasheet from the attachment "

Rated voltage : 5VDC

Number of Phase 4

Speed Variation Ratio 1/64

Stride Angle 5.625° /64

Frequency 100Hz

DC resistance $50\Omega \pm 7\%$ (25°C)

Idle In-traction Frequency > 600Hz

Idle Out-traction Frequency > 1000Hz

In-traction Torque >34.3mN.m(120Hz)

Self-positioning Torque >34.3mN.m

Friction torque 600-1200 gf.cm

Pull in torque 300 gf.cm

Insulation grade A